

30W DALI DT8 LED Driver (Constant Current)

70220101

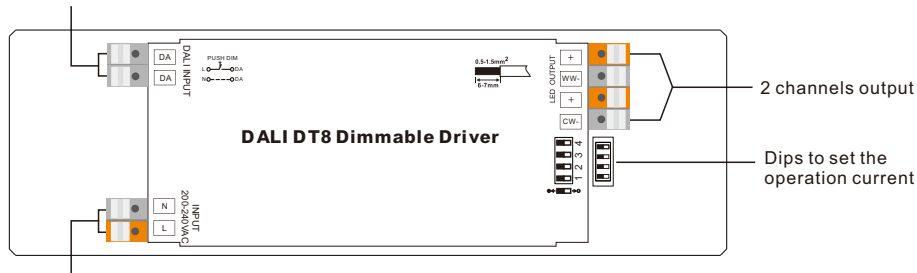
LED Controlled Device



Important: Read All Instructions Prior to Installation

Function introduction

DALI signal input



AC 200-240V input

Product Data

| | | | | | | | | | |
|-------------|---------------------------|--|-------|-------|-------|-------|-------|-------|--------|
| Output | Selectable Current | 250mA | 300mA | 350mA | 400mA | 450mA | 500mA | 550mA | 600mA |
| | DC Voltage Range | 8-55V | 8-55V | 8-55V | 8-55V | 8-55V | 8-55V | 8-54V | 8-50V |
| | Selectable Current | 650mA | 700mA | 750mA | 800mA | 850mA | 900mA | 950mA | 1000mA |
| | DC Voltage Range | 8-46V | 8-43V | 8-40V | 8-37V | 8-35V | 8-33V | 8-31V | 8-30V |
| | Rated Power | 30W max. | | | | | | | |
| Input | Voltage Range | 200-240V AC | | | | | | | |
| | Frequency Range | 50/60Hz | | | | | | | |
| | Power Factor (Typ.) | > 0.9 @ 230VAC | | | | | | | |
| | Total Harmonic Distortion | THD ≤ 12% (@ full load / 230VAC) | | | | | | | |
| | Efficiency (Typ.) | 83% @ 230VAC full load | | | | | | | |
| | AC Current (Typ.) | 0.17A @ 230VAC | | | | | | | |
| | Inrush Current (Typ.) | COLD START 9.76A max. at 230VAC | | | | | | | |
| | Leakage Current | < 0.5mA /230VAC | | | | | | | |
| Control | Dimming Interface | DALI DT8 (DALI consumption<2mA)/ PUSH | | | | | | | |
| | Dimming Range | 0.1%-100% | | | | | | | |
| | Dimming Method | Amplitude dimming (PWM dimming under 1%) | | | | | | | |
| | Dimming Curve | Logarithmic | | | | | | | |
| Environment | Working Temp. | -20°C ~ +45°C | | | | | | | |
| | Max. Case Temp. | 85°C (Ta="45°C") | | | | | | | |
| | Working Humidity | 10% ~ 95% RH non-condensing | | | | | | | |
| | Storage Temp. & Humidity | -40°C ~ +80°C, 10% ~ 95% RH | | | | | | | |

| | | |
|------------|-------------------|---|
| Protection | Short Circuit | Yes, auto recovery after fault removed |
| | Over Voltage | Yes, auto recovery after fault removed |
| | Over Temperature | Yes, auto recovery after fault removed |
| Safety&EMC | Safety Standards | ENEC EN61347-1, EN61347-2-13 approved |
| | Withstand Voltage | I/P-O/P: 3.75KVAC |
| | EMC Emission | EN55015, EN61000-3-2, EN61000-3-3 |
| | EMC Immunity | EN61547, EN61000-4-2,3,4,5,6,8,11, surge immunity Line-Line 1KV |
| Others | MTBF | 189400H, MIL-HDBK-217F @ 230VAC at full load and 25°C ambient temperature |
| | Dimension | 170*53.4*28mm (L*W*H) |

Dips to set the operation current

| | | | | | | | | | |
|-------|---|---|---|---|--------|---|---|---|---|
| 1 | 2 | 3 | 4 | 1 | 2 | 3 | 4 | | |
| 250mA | ○ | ○ | ○ | ○ | 650mA | ● | ○ | ○ | ○ |
| 300mA | ○ | ○ | ○ | ● | 700mA | ● | ○ | ○ | ○ |
| 350mA | ○ | ○ | ○ | ● | 750mA | ● | ○ | ○ | ○ |
| 400mA | ○ | ○ | ○ | ● | 800mA | ● | ○ | ○ | ○ |
| 450mA | ○ | ○ | ○ | ● | 850mA | ● | ○ | ○ | ○ |
| 500mA | ○ | ○ | ○ | ● | 900mA | ● | ○ | ○ | ○ |
| 550mA | ○ | ○ | ○ | ● | 950mA | ● | ○ | ○ | ○ |
| 600mA | ○ | ○ | ○ | ● | 1000mA | ● | ○ | ○ | ○ |

- Dimmable DALI DT8 LED driver for tunable white
- In compliance with IEC 62386-101:2014, IEC 62386-102:2014, IEC 62386-207 Ed2, IEC 62386-209:2011
- Built-in DALI-2 interface, DALI DT8 device
- Hybrid dimming method, smooth and deep dimming to 0.1%, flicker free
- 2 channels constant current output, max. output power 30W
- Output current 250mA-1000mA selectable by dip switches
- Standby power consumption less than 0.5W
- Class 2 power supply, full isolated plastic case
- High power factor and efficiency
- DALI DT8 device to control Warm White and Cool White output via a single DALI address
- Color temperature adjustment according to DALI specifications of Device Type 8, Color Type Tc.
- Compatible with universal DALI masters that support DT8 commands
- IP20 rating, suitable for indoor LED lighting applications
- 5 years warranty

Safety & Warnings

- DO NOT install with power applied to device.
- DO NOT set operation current with power applied to device.
- DO NOT expose the device to moisture.

Operation

1. DALI Address Assigned by DALI Masters

1 DALI address can be assigned by DALI Master controller automatically, please refer to user manuals of compatible DALI Masters for specific operations.

2. Tunable White Colour Range

The driver has 2 output channels used to control the intensity and temperature of white colour as well known as "Tunable White". The controlled colour temperature range is 2700K-6500K.

3. Power On Level

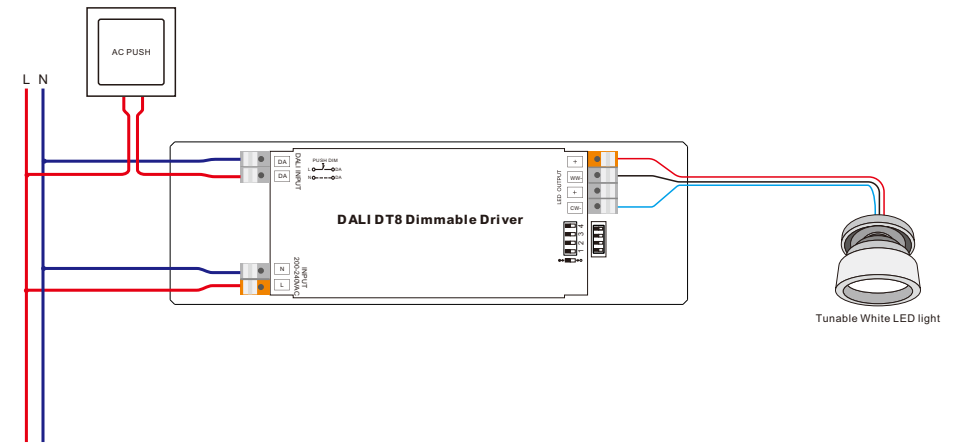
Power on level is a DALI parameter that defines the level of a control gear after power is restored. The factory default power on level for this driver is MASK, which means that when the power is restored, the driver will keep the same light intensity as before.

4. Push Dimmer Mode

While connected with a AC PUSH, it means Push Dimmer Mode, and operations under Push Dimmer Mode are as follows:

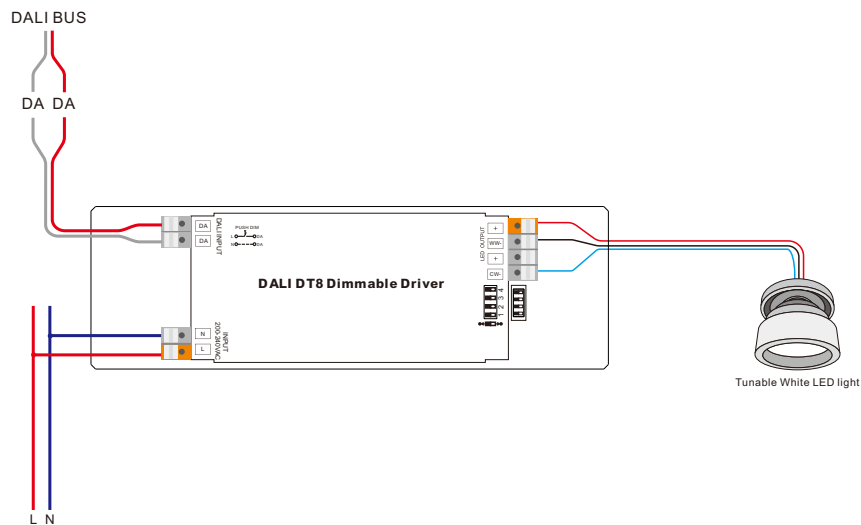
- 1) Click the button to switch ON/OFF
- 2) Press and hold down the button to increase or decrease light intensity to desired level and release it, then repeat the operation to adjust light intensity to opposite direction. The dimming range is from 1% to 100%.
- 3) Double click the button to switch between brightness mode and color temperature mode.
- 4) Press and hold down the button to change color temperature under color temperature mode.

2. With PUSH Dimmer



Wiring Diagram

1. With DALI Bus



Product Dimension

